

Multi-flange Wafer Pattern Butterfly Valve - EPDM Liner

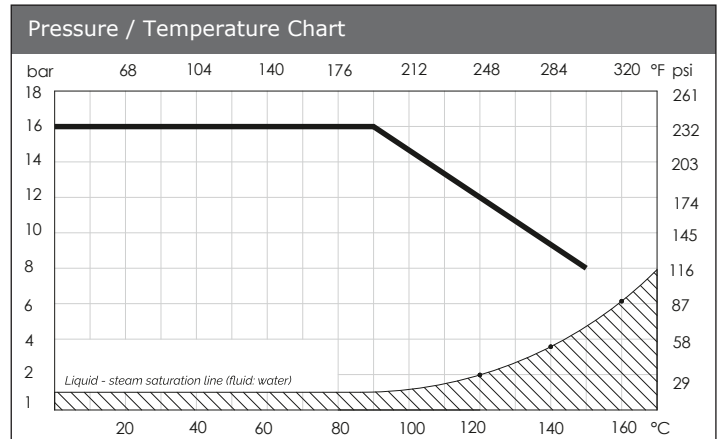


ISO 5211 for Direct Mount, Epoxy Coated Ductile Iron Body, 316 Stainless Steel Disc, EPDM Liner, Locking Lever Operation 1" to 10", Gearbox Operation 12" to 24", Complies with 97/23/CE (PED) Directive CE 1115



Pressure / Temperature Specifications	
Pressure	PN16 1" to 16" PN10 18" to 24"
Temperature	-10°C to 120°C (130°C Peak)

Material Specifications	
1. Body	EN GJS 400 - 15 Ductile Iron
2. Disc	CF8M Stainless Steel
3. Stem	AISI 420 Stainless Steel
4. Liner	EPDM
5. Bushing	PTFE
6. Washer	Galvanised Carbon Steel
7. Circlip	Spring Steel
8. O-ring	Viton
9. Lever (1" to 10")	1" to 6" Aluminium 8" & 10" EN GJS 400 - 15 Ductile Iron
10. Bolts	Galvanised Carbon Steel



Weight		
Size	with Lever	with Gearbox
1"	1.7	5.7
1¼"	1.7	5.7
1½"	1.8	5.8
2"	2.1	6.1
2½"	2.4	6.4
3"	3.2	7.0
4"	4.3	8.1
5"	6.3	9.6
6"	7.8	11.1
8"	15.0	22.3
10"	23.5	32.8
12"	-	42.0
14"	-	43.0
16"	-	60.0
18"	-	107.7
20"	-	155.8
24"	-	231.1

Operating Torque (Nm)				
Size	3 Bar	6 Bar	10 Bar	16 Bar
1"	2.9	3.1	3.3	3.4
1¼"	4.7	5.1	5.4	5.7
1½"	7.8	8.4	8.8	9.2
2"	11.3	12.0	13.0	13.0
2½"	17.0	18.0	20.0	21.0
3"	23.0	25.0	26.0	28.0
4"	33.0	36.0	40.0	44.0
5"	48.0	54.0	61.0	68.0
6"	68.0	78.0	88.0	99.0
8"	120.0	134.0	148.0	162.0
10"	189.0	212.0	234.0	257.0
12"	290.0	316.0	342.0	367.0
14"	298.0	347.0	396.0	550.0
16"	481.0	551.0	622.0	850.0
18"	---	---	---	---
20"	---	---	---	---
24"	---	---	---	---

Flange Suitability						
Size	PN6	PN10	PN16	ANSI 150	Table D	Table E
1" & 1¼"	✓	✓	✓	✓		
1½" & 2"	✓	✓	✓	✓	✓	✓
2½"	✓	✓	✓	✓		
3" to 14"	✓	✓	✓	✓	✓	✓
16"	✓	✓	✓	✓		
18" to 24"*		✓	✓			

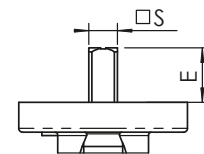
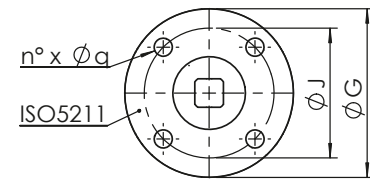
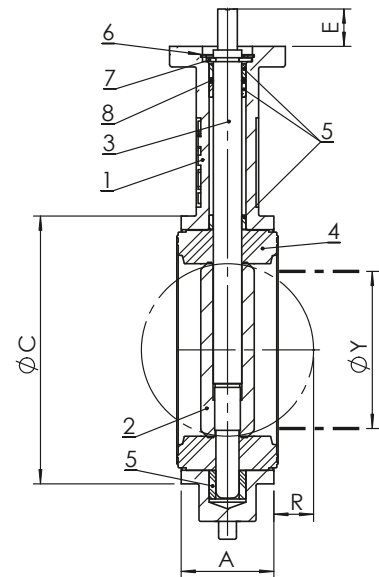
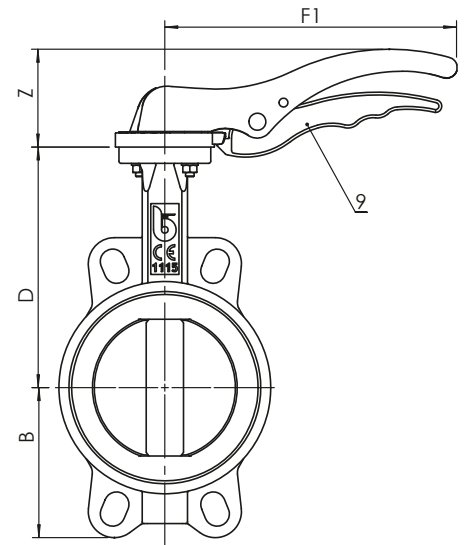
*PN10 or PN16 must be selected at time of order

Continues on Page 2

Multi-flange Wafer Pattern Butterfly Valve - EPDM Liner



Dimensions								
Size	A	B	ØC	D	F1	R	ØY	Z
1"	33	51	65	104	192	-	-	68
1¼"	33	56	73	110	192	1	12	68
1½"	33	63	82	116	170	5	27	50
2"	43	62	89	126	170	5	31	50
2½"	46	69	102	136	170	9	45	50
3"	46	90	118	150	206	17	65	69
4"	52	106	150	170	206	26	90	69
5"	56	119	174	180	285	34	110	90
6"	56	131	205	200	285	50	146	90
8"	60	166	260	230	400	71	194	72
10"	68	202	318	266	530	91	241	72
12"	78	235	376	292	530	112	291	72
14"	78	257	406	335	-	128	324	-
16"	102	292	471	360	-	144	379	-
18"	114	318	539	422	-	163	428	-
20"	127	355	594	480	-	182	475	-
24"	154	444	695	562	-	219	573	-

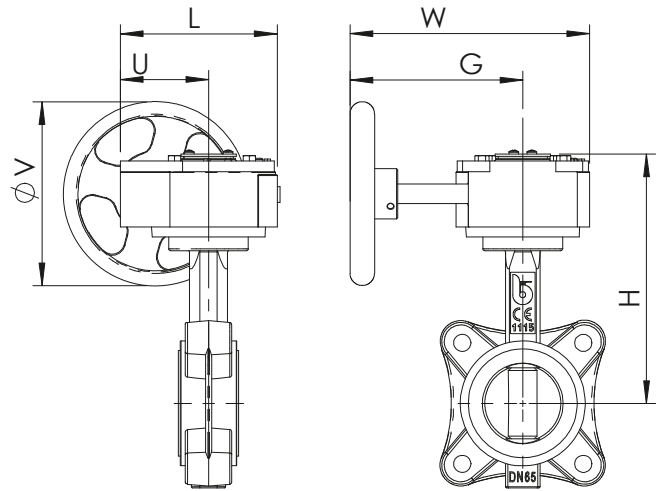


Mounting Plate Dimensions						
Size	ISO	G	J	No x Øq	S	E
1"	F05	65	50	4 x 7	7	32
1¼"	F05	65	50	4 x 7	7	32
1½"	F05	65	50	4 x 7	9	21
2"	F05	65	50	4 x 7	9	21
2½"	F05	65	50	4 x 7	9	21
3"	F05	65	50	4 x 7	11	21
4"	F05	65	50	4 x 7	11	21
5"	F07	90	70	4 x 9	14	27
6"	F07	90	70	4 x 9	14	27
8"	F10	125	102	4 x 11	17	27
10"	F12	150	125	4 x 13	27	27
12"	F12	150	125	4 x 13	27	27
14"	F12	150	125	4 x 13	27	27
16"	F12	150	125	4 x 13	27	27
18"*	F16	210	165	4 x 22	27	51
20"*	F16	210	165	4 x 22	36	64
24"*	F16	210	165	4 x 22	36	70

*Topworks dimensions may vary; please contact sales for confirmation.

Continues on Page 3

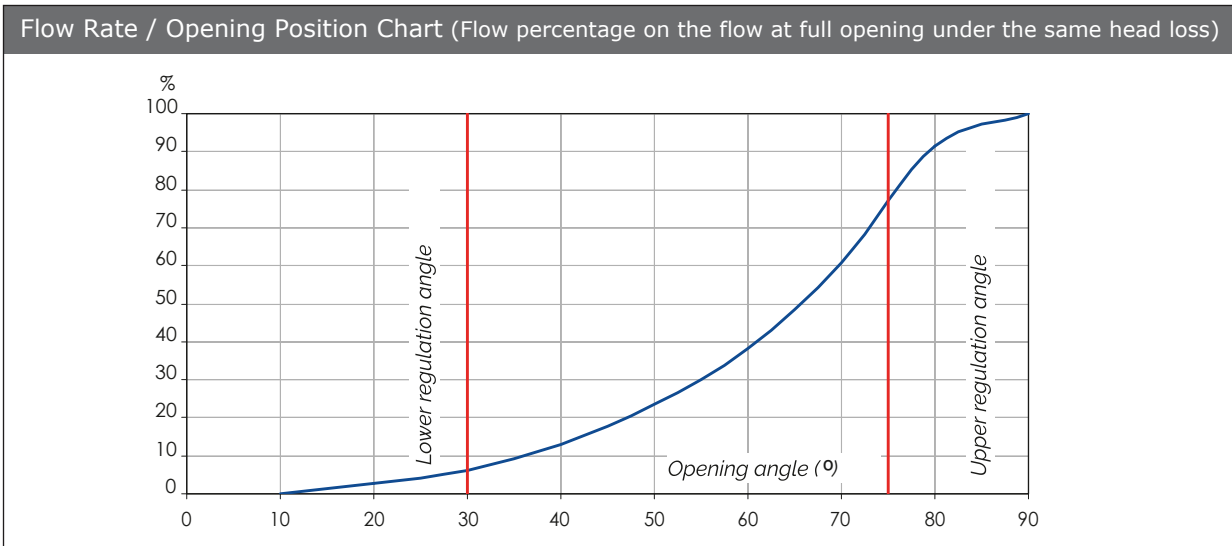
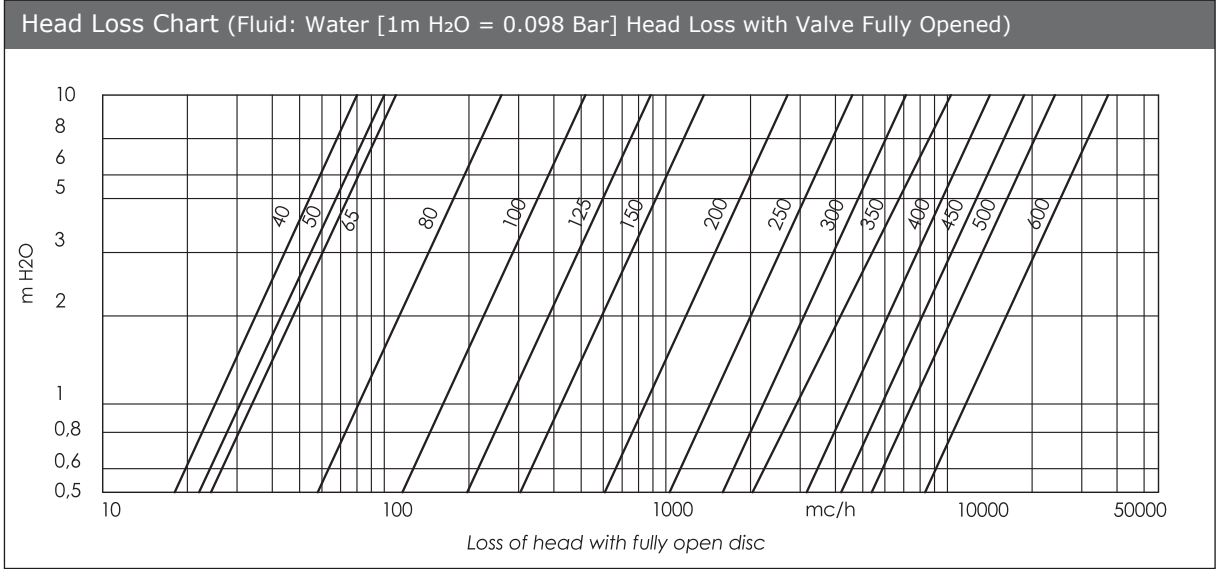
Dimensions with Gearbox						
Size	L	U	H	W	G	V
1"	130	77	166	225	170	150
1¼"	130	77	172	225	170	150
1½"	130	77	178	225	170	150
2"	130	77	188	225	170	150
2½"	130	77	198	225	170	150
3"	130	77	212	225	170	150
4"	130	77	232	225	170	150
5"	130	77	242	225	170	150
6"	130	77	262	225	170	150
8"	180	104	308	338	260	300
10"	205	124	346	345	260	300
12"	205	124	372	345	260	300
14"	205	124	415	345	260	300
16"	278	118	457	291	167	380
18"	278	118	519	291	167	380
20"	277	107	607	379	207	285
24"	323	131	693	428	256	385



KV Values									
Size	10°	20°	30°	40°	50°	60°	70°	80°	90°
1"	--- please confirm with sales ---								
1¼"	--- please confirm with sales ---								
1½"	0.04	2.1	4.8	10.0	19.0	30.0	48.0	73.0	79.0
2"	0.05	2.6	6.0	13.0	23.0	38.0	60.0	91.0	99.0
2½"	0.00	3.8	14.0	33.0	53.0	75.0	98.0	108.0	108.0
3"	0.17	7.8	16.0	34.0	60.0	100.0	158.0	237.0	261.0
4"	0.26	15.0	31.0	67.0	120.0	199.0	314.0	471.0	518.0
5"	0.43	25.0	53.0	115.0	205.0	339.0	535.0	803.0	883.0
6"	0.69	39.0	82.0	177.0	316.0	522.0	827.0	1241.0	1364.0
8"	2.6	52.0	142.0	250.0	450.0	713.0	1122.0	1723.0	2716.0
10"	2.6	130.0	276.0	599.0	1068.0	1768.0	2798.0	4196.0	4611.0
12"	3.5	202.0	427.0	926.0	1650.0	2730.0	4322.0	6483.0	7124.0
14"	5.2	292.0	617.0	1376.0	2384.0	3945.0	6243.0	9364.0	10291.0
16"	6.9	401.0	849.0	1839.0	3279.0	5425.0	8585.0	12878.0	14152.0
18"	9.5	531.0	1124.0	2437.0	4342.0	7185.0	11371.0	17057.0	18743.0
20"	12.0	683.0	1445.0	3133.0	5609.0	9238.0	14620.0	21930.0	24099.0
24"	19.0	1055.0	2234.0	4840.0	8626.0	14272.0	22587.0	33882.0	37232.0

Continues on Page 4

Multi-flange Wafer Pattern Butterfly Valve - EPDM Liner



Last updated 03/02/2025